

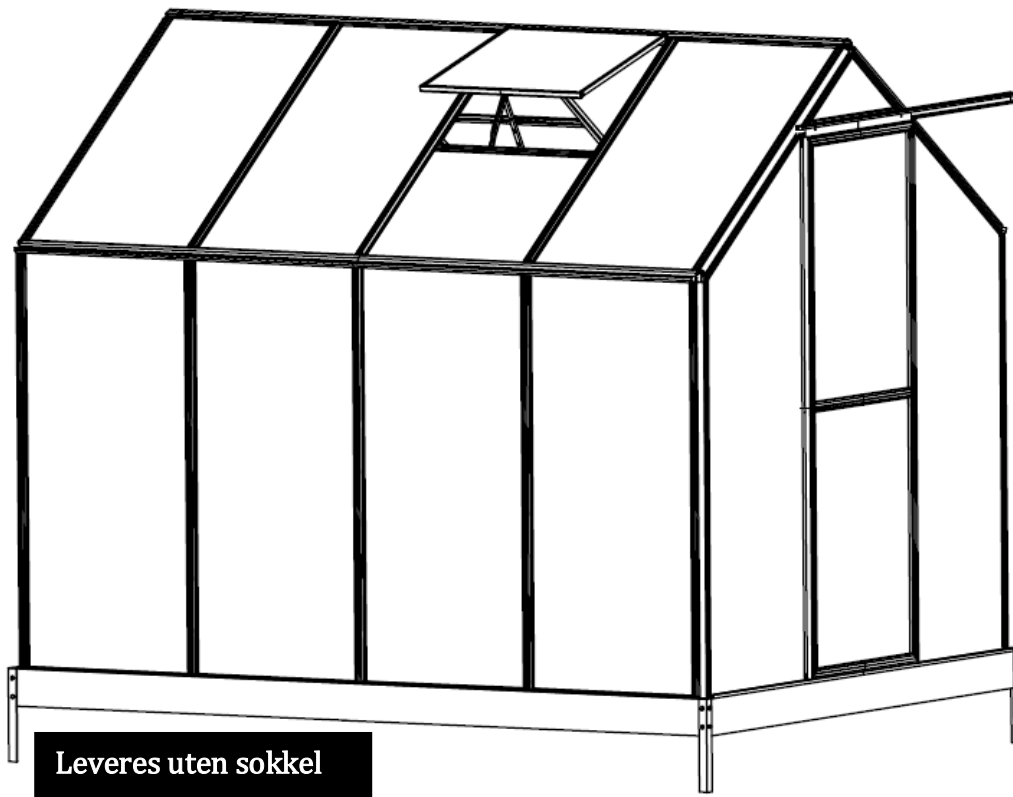
# VEKSTHUS

## 4.88m<sup>2</sup>

INSTRUKSJONSBOK

---

BRUKSANVISNING



Tak må måkes ved snøfall, unngå stor tyngde på tak.



**(P2-P5)**

Nr.	Del	Ant.
11X-Y11		1
11X-Y50		1
11X-Y01		1
11X-Y02		1
11X-Y03		1
11X-Y04		1
11X-Y20		1
11X-Y21		1
11X-Y30		1
11X-Y52		2

**(P6-P9)**

Nr.	Del	Ant.
11X-Y13		1
11X-Y01		1
11X-Y02		1
11X-Y03		1
11X-Y04		1
11X-Y40		1
11X-Y41		1
11X-Y31		1
11X-Y51		2
11X-Y52		2

**P10**

Nr.	Del	Ant.
11-YY02		2

**P11**

Nr.	Del	Ant.
11X-Y91		1
11X-Y92		1
11X-Y93		2
11X-Y94		1

**(P12-P16)**

Nr.	Del	Ant.
11X-Y12-4		2
11X-Y60-4		2
11X-Y70-4		1
11X-Y22		6
11X-Y23		6
11X-Y53		4
11X-Y54		4
11X-Y32		2

**(P17-P19)**

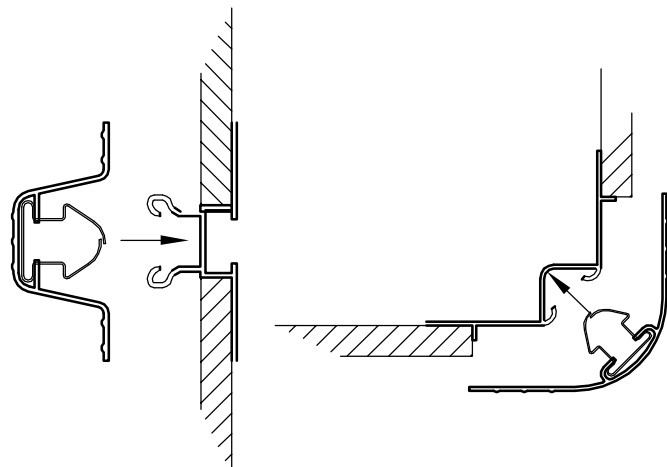
Nr.	Del	Ant.
11X-Y24		1
11X-Y25		1
11X-Y26		6
11X-Y27		6
11X-Y05		4
11X-Y06		2
11X-Y07		1
11X-Y08		1
11X-Y90		1

**Deler**

Nr.	Del	Ant.
S6-10		106
S6-20		2
M6		108
7C04-011R/L		2/2
7C04-012		2
7C03-006R/L		1/1
7C04-013R/L		1/1
7C04-023		9M
7B04-007		4
7B04-008		2
7B00-017		2
7C04-019		4
7B00-004		6
7B00-004R/L		1/1
11Z-Y80		2
11Z-Y81		2
Z4-8		16
Z3.5-8		6

**Polykarbonat**

Nr.	Del	Ant.
11-YY01		2
11-YY03		2
11-YY04		2
11-YY05		1
11-YY06		1
11-YY07		1
11-YY08		8
11-YY09		6
11-YY10		2

**GODKJENT PATENT**